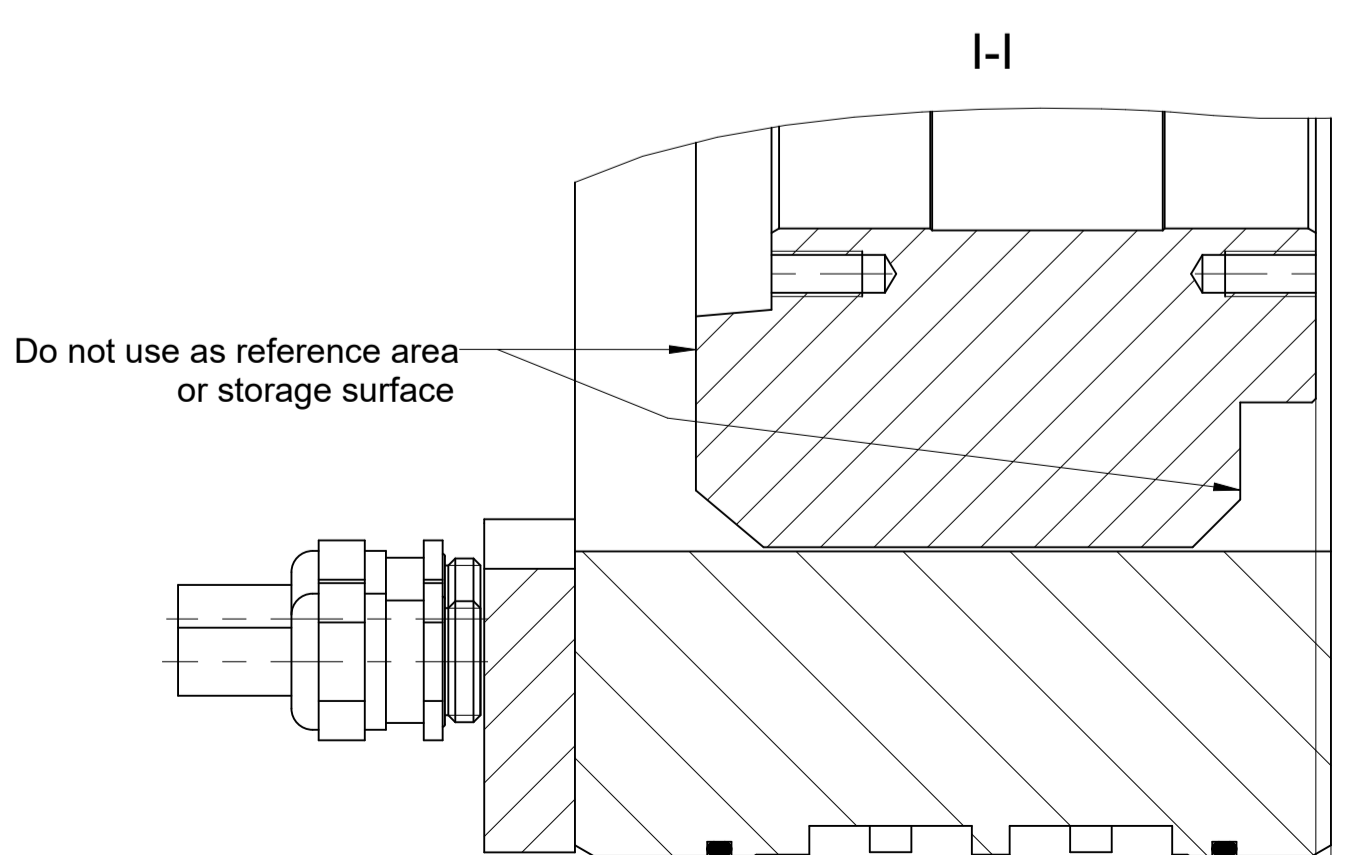
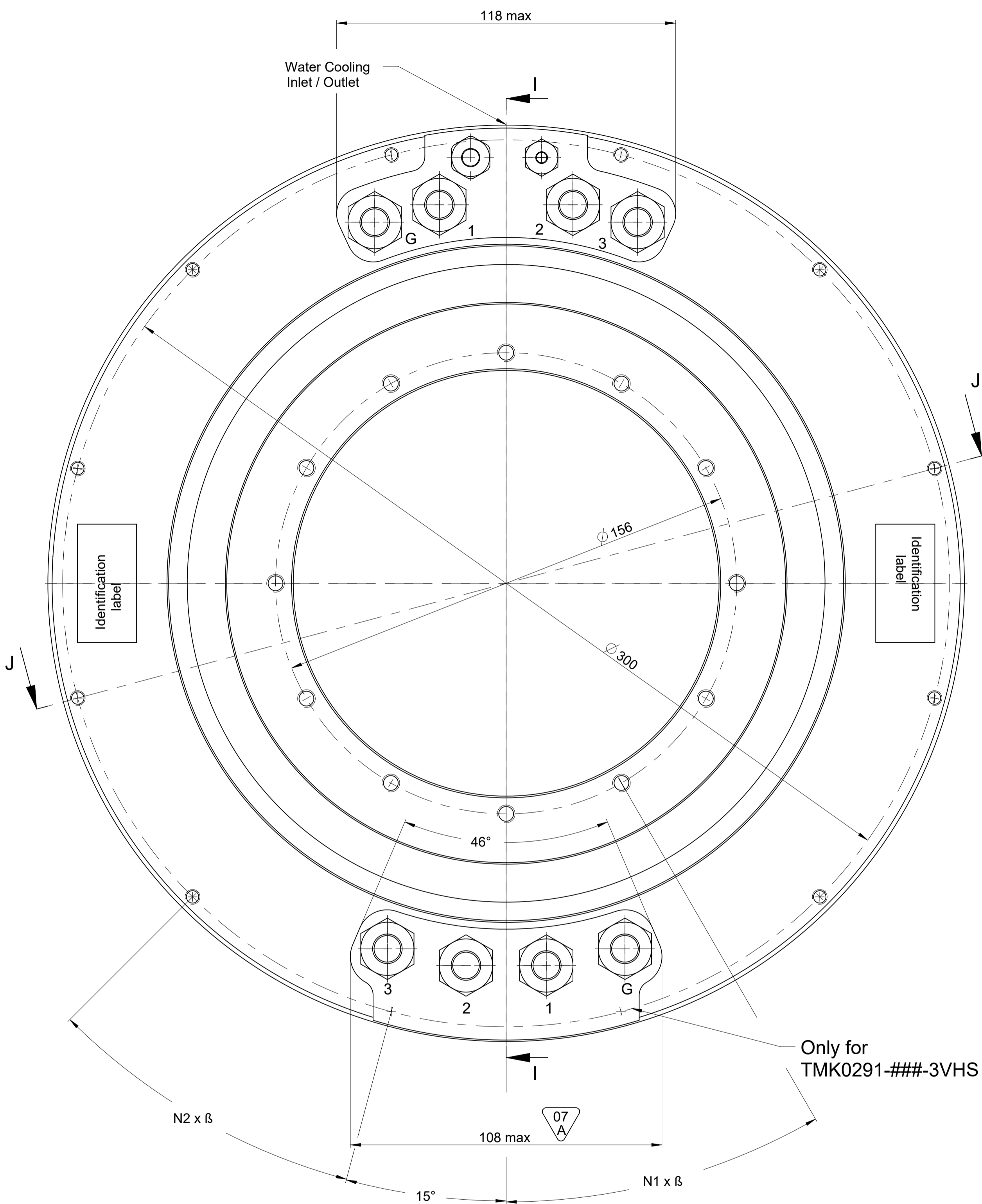
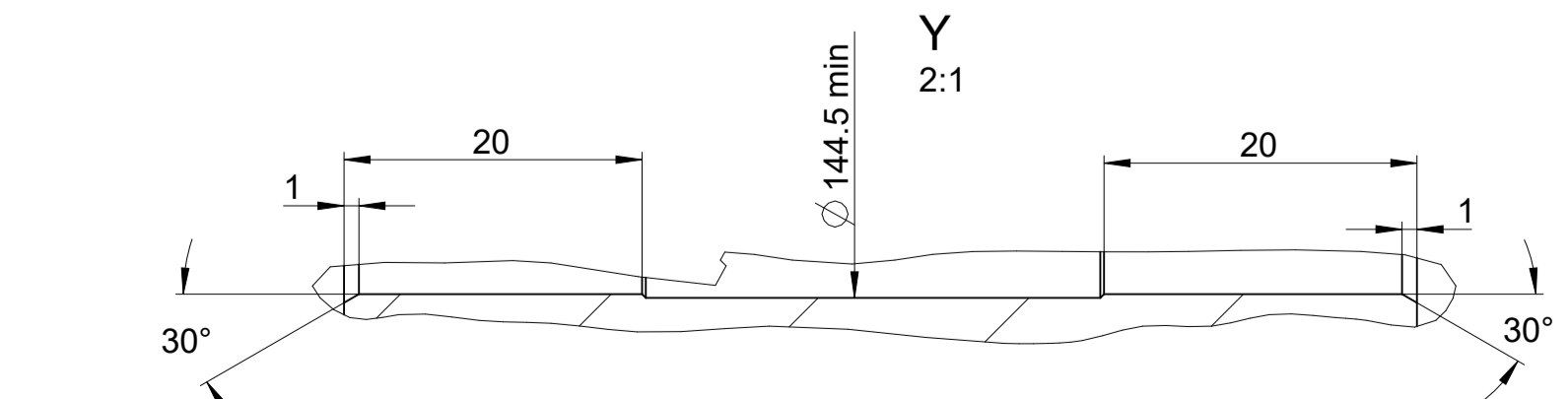
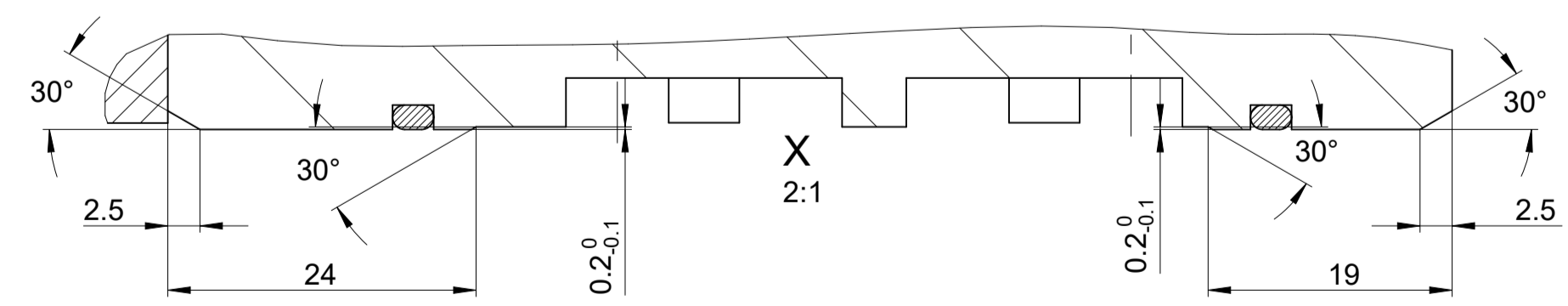


(Y) Customer's housing must be  $\varnothing 310 H8$  (E)  
 Diameters (X) and (Y) must be concentric within 0.1 when mounted

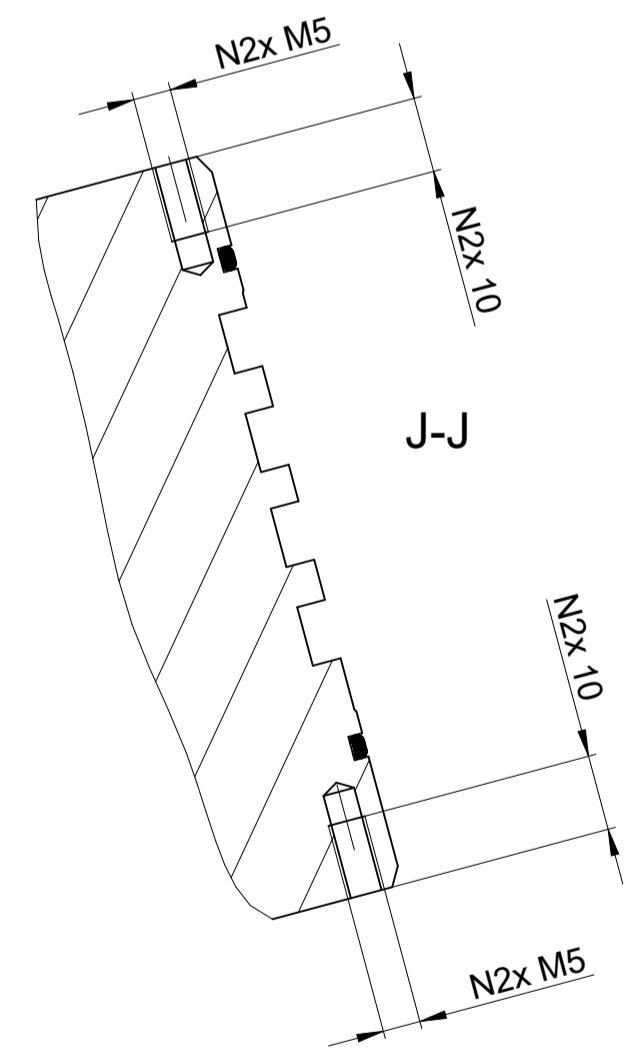
Rotor shoulder position on cable side



Rotor shoulder position on opposite side of cable

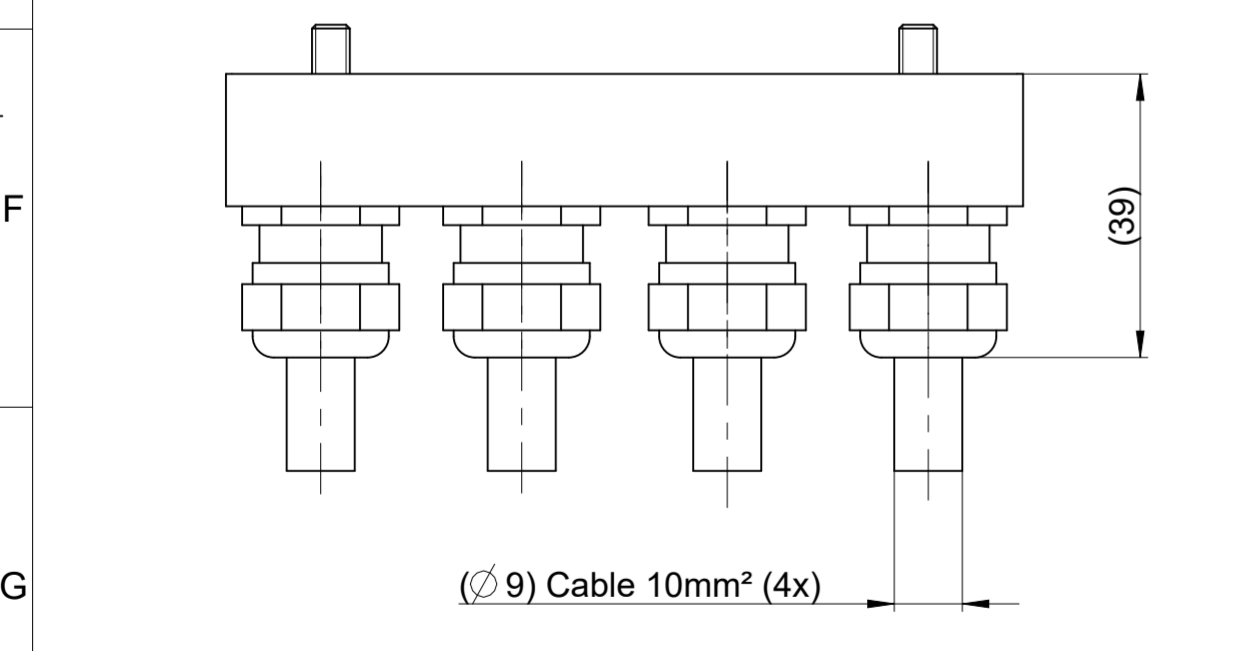
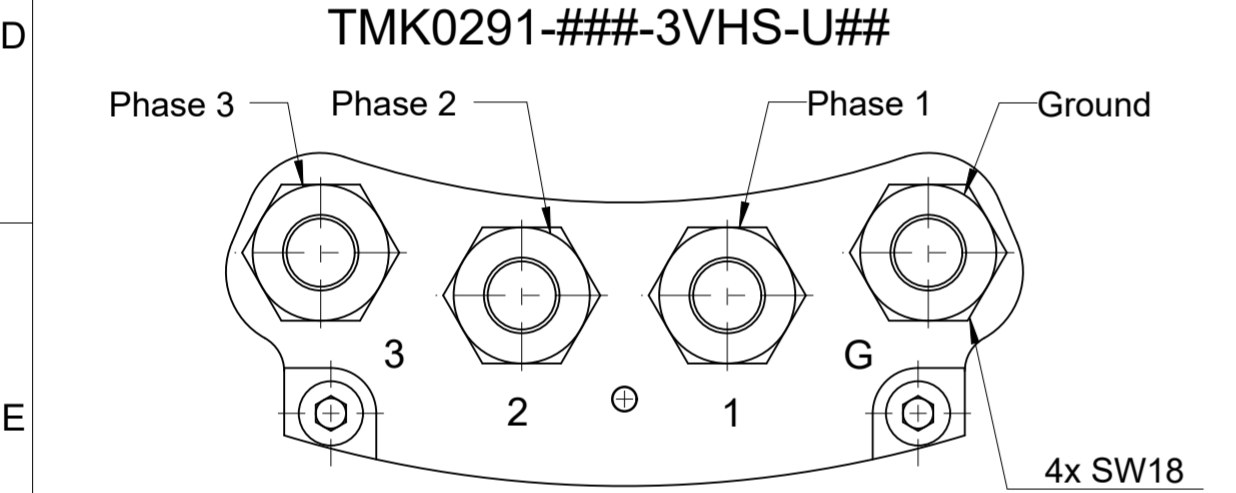
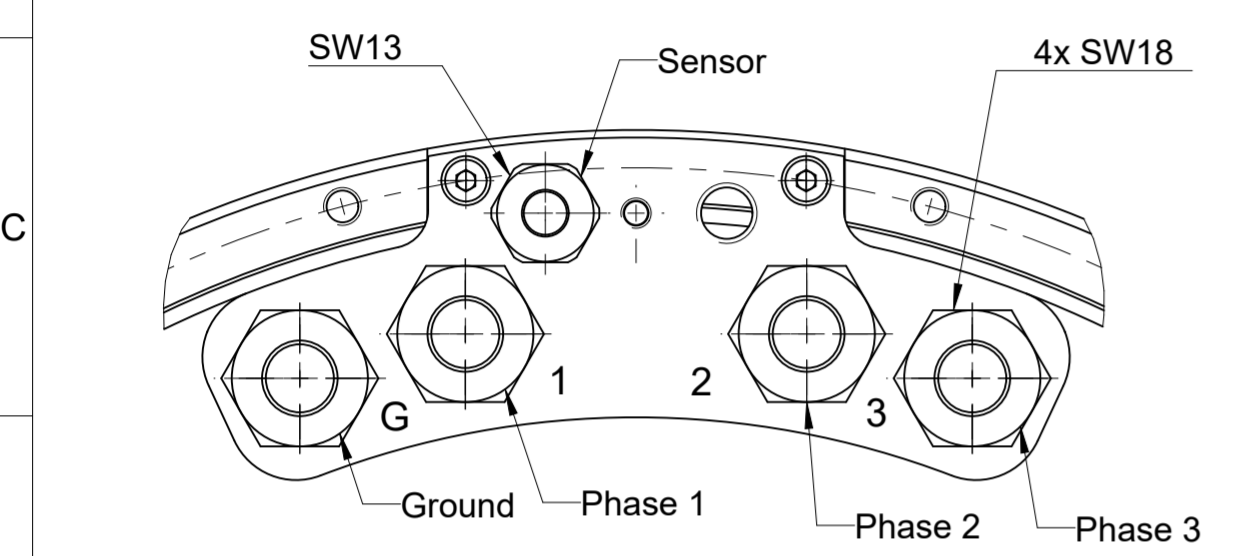
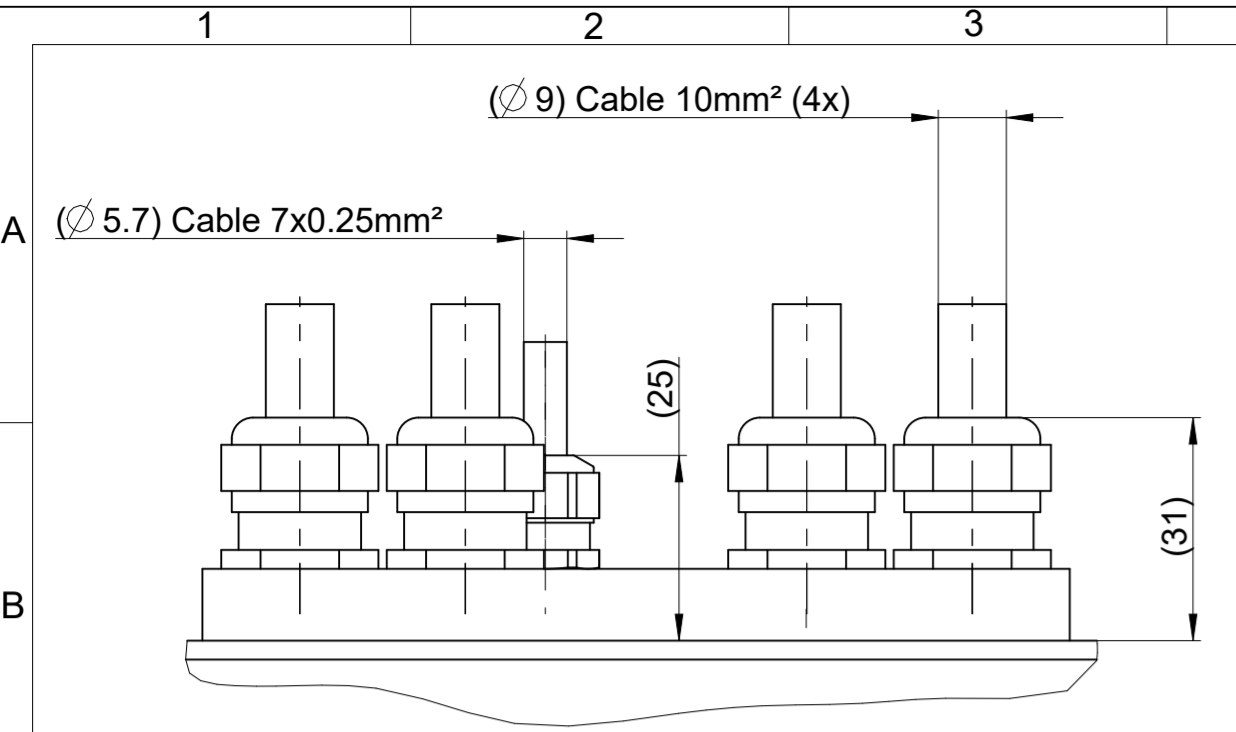


Only for TMK0291-###-3VHS

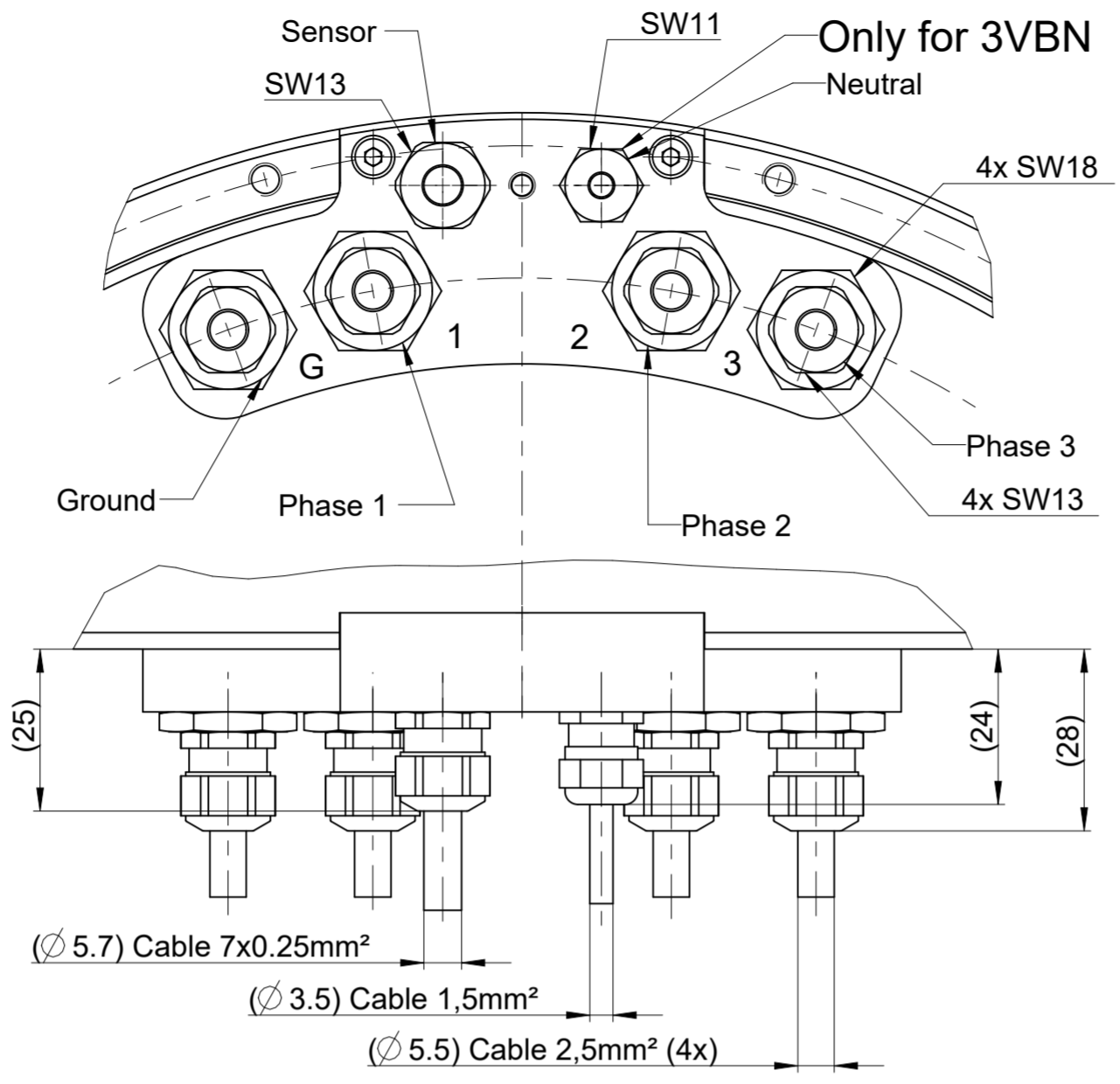


PRODUCT	L1	L2	L3	N1	N2	β
TMK0291-050	100	81	40	12	12	30
TMK0291-070	120	101	60	12	12	30
TMK0291-100	150	131	90	24	24	15
TMK0291-150	200	181	140	24	24	15

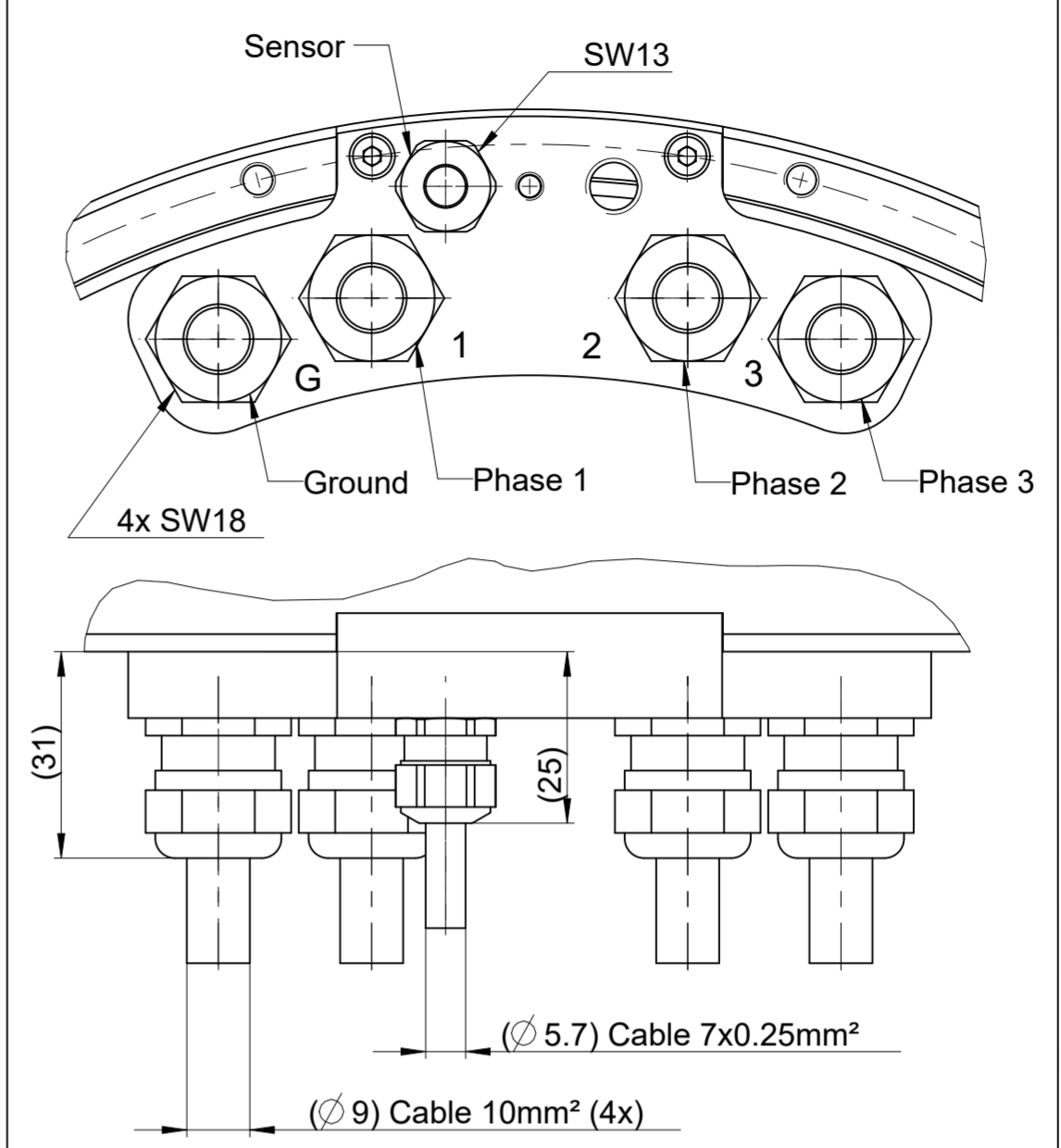
Text:		ID number
Original drawing	Scale	Format
RoHS	1:1	A1
Torque motor TMK0291 (interface)		Change No. C124601-02
Moteur couple fer TMK0291 (interface)		Released: 24.02.2022
Dimensions in mm / Cotes en mm		Mating Dimensions / Cotes d'encrochement
Workpiece edges ISO 13715	General tolerances ISO 2768-mK	Surfaces as per ISO 1302
Arêtes de formes selon ISO 13715	Tolérances générales ISO 2768-mK	Etats de surface selon ISO 1302
-0.1 L±0.3	+0.3 L±0.0	Surface treatment:
Tolerances as per ISO 8015 : 2011		Tolérances selon ISO 8015 : 2011
Surface treatment:		Traitement de surface:
The reproduction, distribution and utilization of this document as well as the communication of its contents to others without express authorization is prohibited. Offenders will be held liable for the payment of damages. All rights reserved in the event of the grant of a patent, utility model or design. (ISO 18015)		
ETEL S.A. 2112 Möhlers SWITZERLAND		Version/Revision/Sheet Page
648791-08-A-01		1 of 1
Document number		



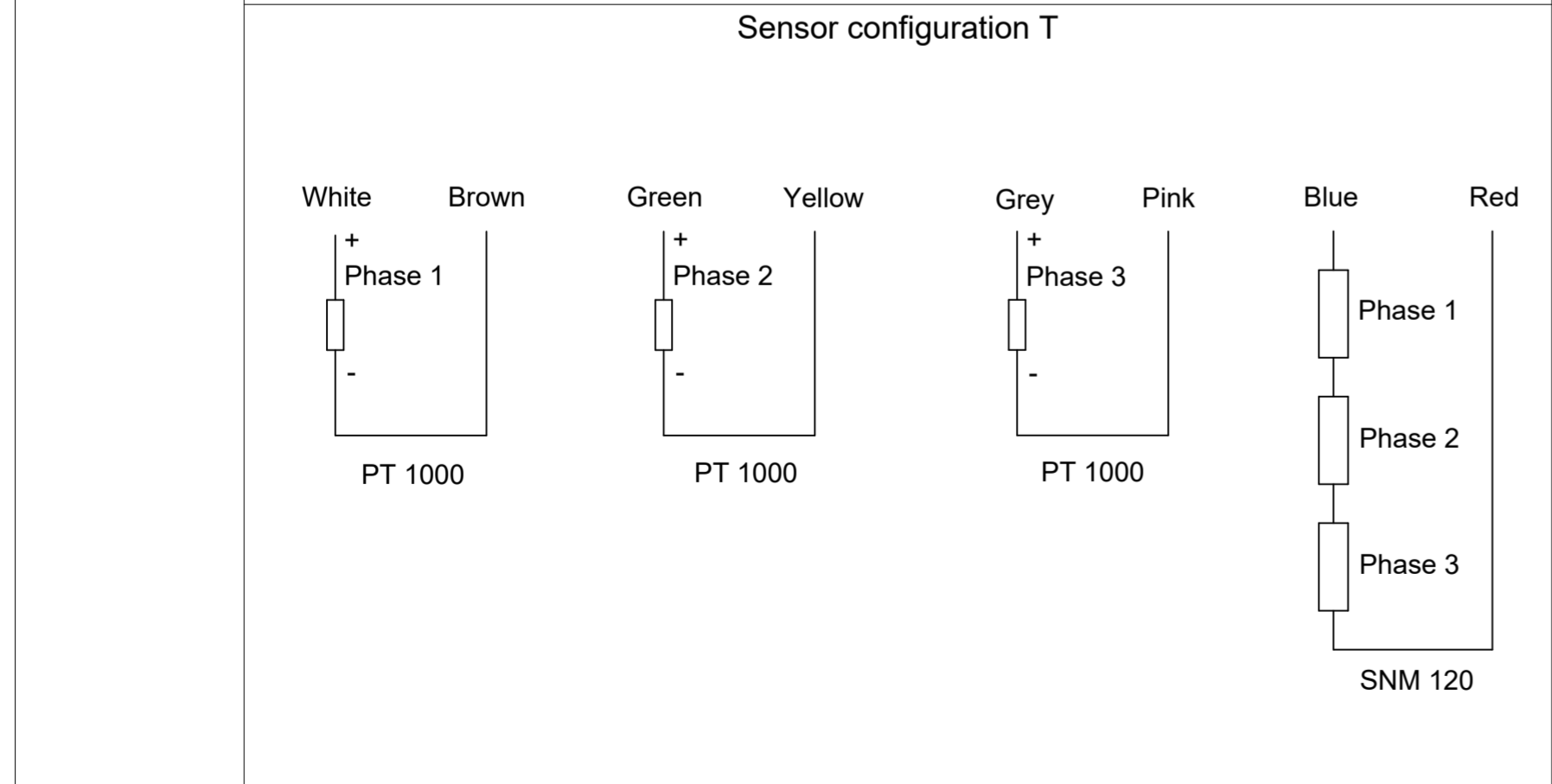
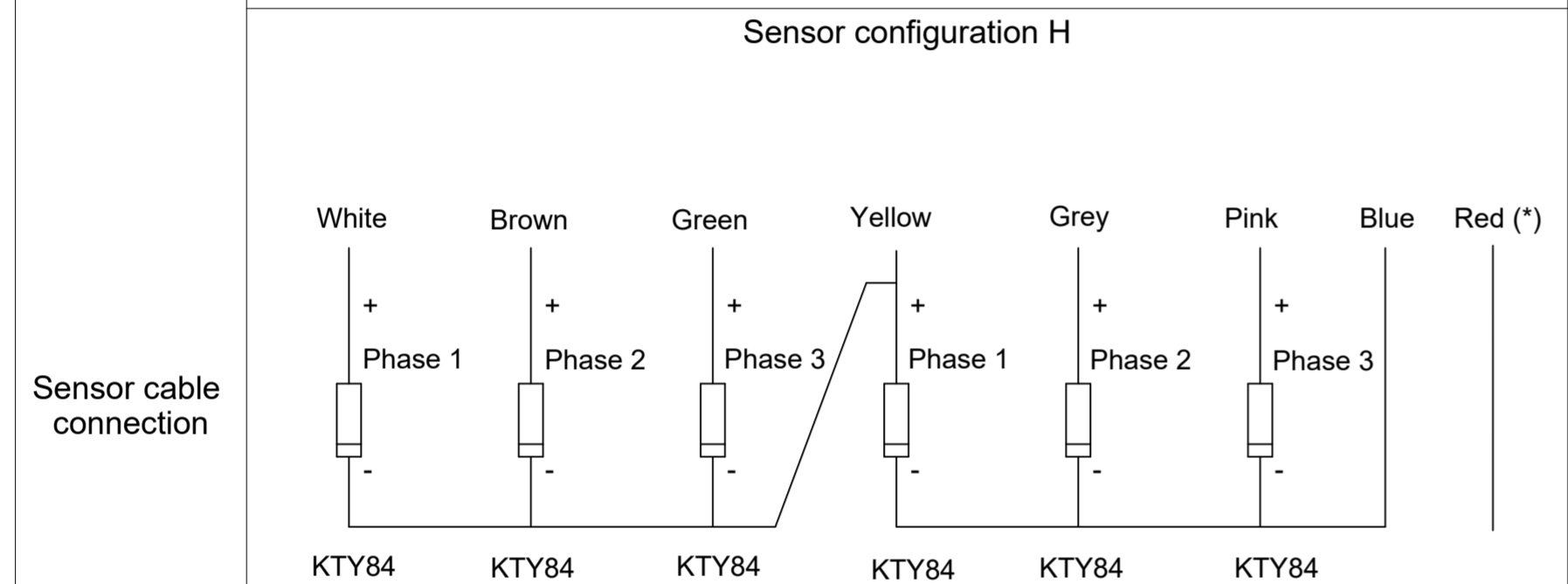
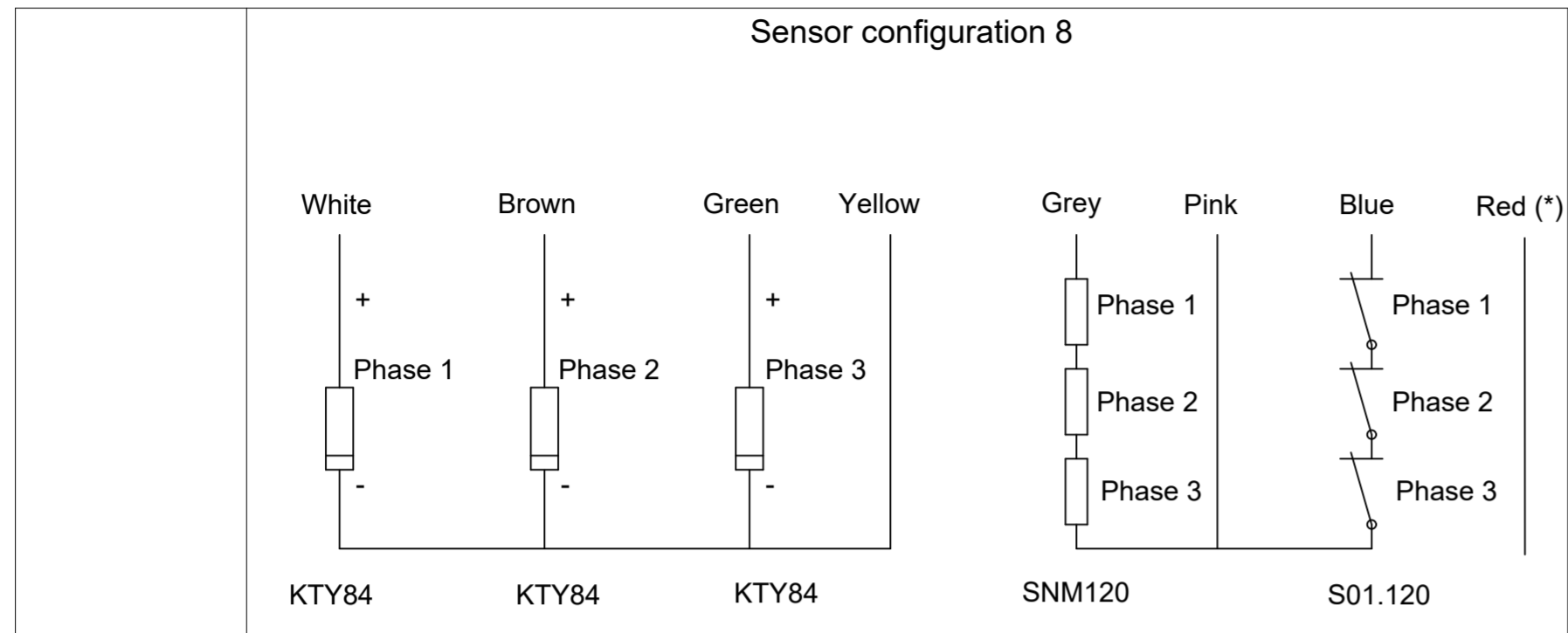
TMK0291-###-3VBN-U## and 3VBS-U##



TMK0291-###-3VDS-U##



Text:			ID number	
Original drawing Scale: 1:1 Format: A2			Change No. C124601-02 Released: 24.02.2022	
RoHS			Material: Matière:	
Torque motor TMK0291 cables outputs U (interface) Moteur couple fer TMK0291 sorties de câbles U (interface)				
Dimensions in mm / Cotes en mm			Mating Dimensions / Cotes d'encabrement	
Workpiece edges ISO 13715 Arêtes de formes selon ISO 13715		General tolerances ISO 2768-mK Tolérances générales ISO 2768-mK		Surfaces as per ISO 1302 Etats de surface selon ISO 1302
$\begin{matrix} -0.1 \\ \text{---} \\ -0.3 \end{matrix}$ $\begin{matrix} +0.3 \\ \text{---} \\ +0.0 \end{matrix}$		Tolerances as per ISO 8015 : 2011 Tolérances selon ISO 8015 : 2011		Surface treatment: Traitement de surface:
The reproduction, distribution and utilization of this document as well as the communication of its contents to others without express authorization is prohibited. Offenders will be held liable for the payment of damages. All rights reserved in the event of the grant of a patent, utility model or design. (ISO 16016)				
<b>ETEL</b> ETEL S.A. 2112 Môtiers SWITZERLAND			Version/Revision/Sheet/ Page 648791-08 - A-02 / 1 of 1	
			Document number	



(\*): Red wire (if present) is not connected on the motor side and cutted flush on cable extremity.

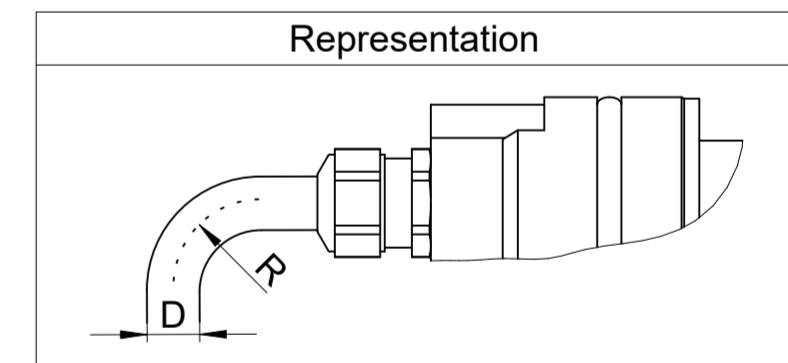
### Power cable connection

Color and wire number	Function	Drawing
Black wire with number 1 or U	Phase 1 (PH1)	
Black wire with number 2 or V	Phase 2 (PH2)	
Black wire with number 3 or W	Phase 3 (PH3)	
Yellow and green wire	Ground (GND)	
Black wire with number Br1 or 5 or white cable	Neutral point wire (present only on some motor types)	
Black wire with number Br2 or 6 or black wire without label	None(**)	

(\*\*): This wire is automatically present when the neutral point wire (which is an option) is added in the motor as it is a 2 x 1 or 2 x 1.5 mm<sup>2</sup> cable.

### Wire section (mm<sup>2</sup>)

Characteristics	1 x 1.5	1 x 2.5	1 x 4	1 x 6	1 x 10	1 x 16	Sensor cable
Applicable motors	TMK0291 TMK0360 TMK0761 TMK0991	TMK0175 TMK0291 TMK0360 TMK0530	TMK0360	TMK0175 TMK0360 TMK0530	TMK0291 TMK0530 TMK0761	TMK0360 TMK0530 TMK0761 TMK0991	All TMK
Minimum bend radius for fixed cable	R = 5 X D	R = 4 X D	R = 4 X D	R = 4 X D	R = 4 X D	R = 4 X D	R = 6 X D
Minimum bend radius for moving cable	R = 10 x D	R = 7.5 X D	R = 7.5 X D	R = 7.5 X D	R = 7.5 X D	R = 7.5 X D	R = 12 X D



Text:			ID number	
Original drawing Scale: 1:1 Format: A2			Change No. C115144-05 Released: 18.09.2020	
RoHS			Material: Matière:	
Dimensions in mm / Cotes en mm			Assembly Drawing / Dessin d'ensemble	
Workpiece edges ISO 13715 Arêtes de formes selon ISO 13715		General tolerances ISO 2768-mK Tolérances générales ISO 2768-mK		Surfaces as per ISO 1302 Etats de surface selon ISO 1302
Tolerances as per ISO 8015 : 2011 Tolérances selon ISO 8015 : 2011		Surface treatment: Traitement de surface:		
The reproduction, distribution and utilization of this document as well as the communication of its contents to others without express authorization is prohibited. Offenders will be held liable for the payment of damages. All rights reserved in the event of the grant of a patent, utility model or design. (ISO 16016)				
ETEL ETEL S.A. 2112 Môtiers SWITZERLAND			Version/Revision/Sheet/ Page 1 of 1	
			1328572-00-A-01	
			Document number	