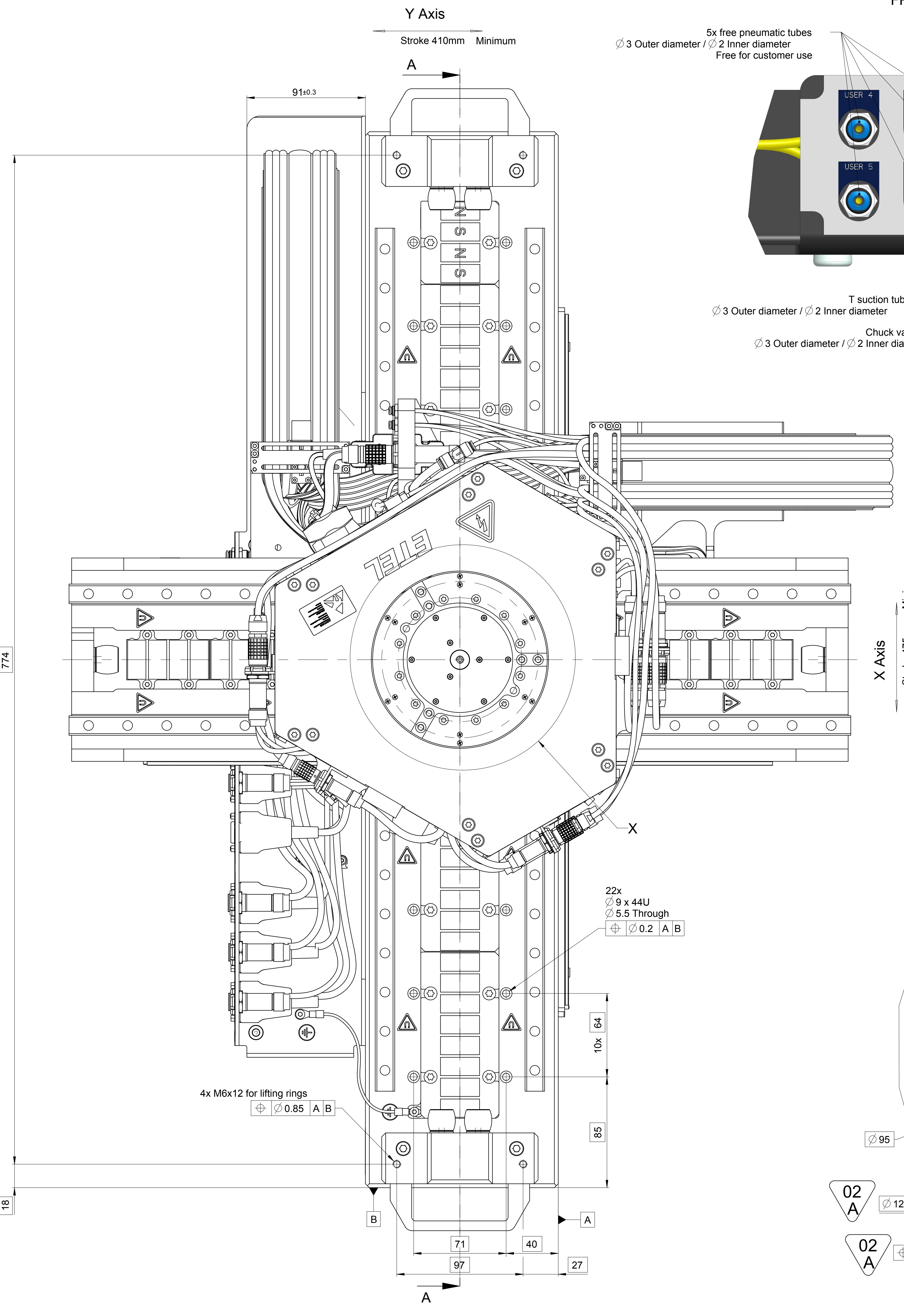
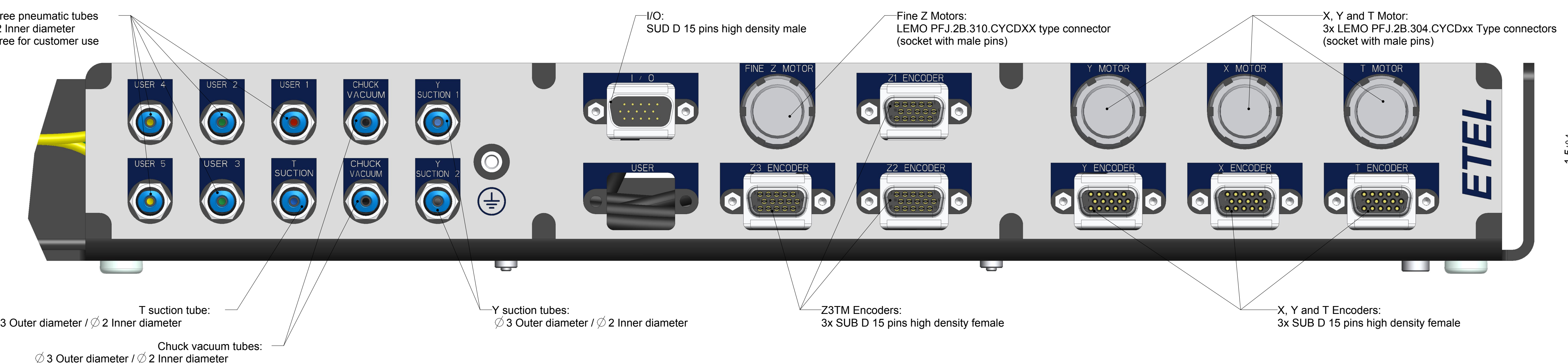


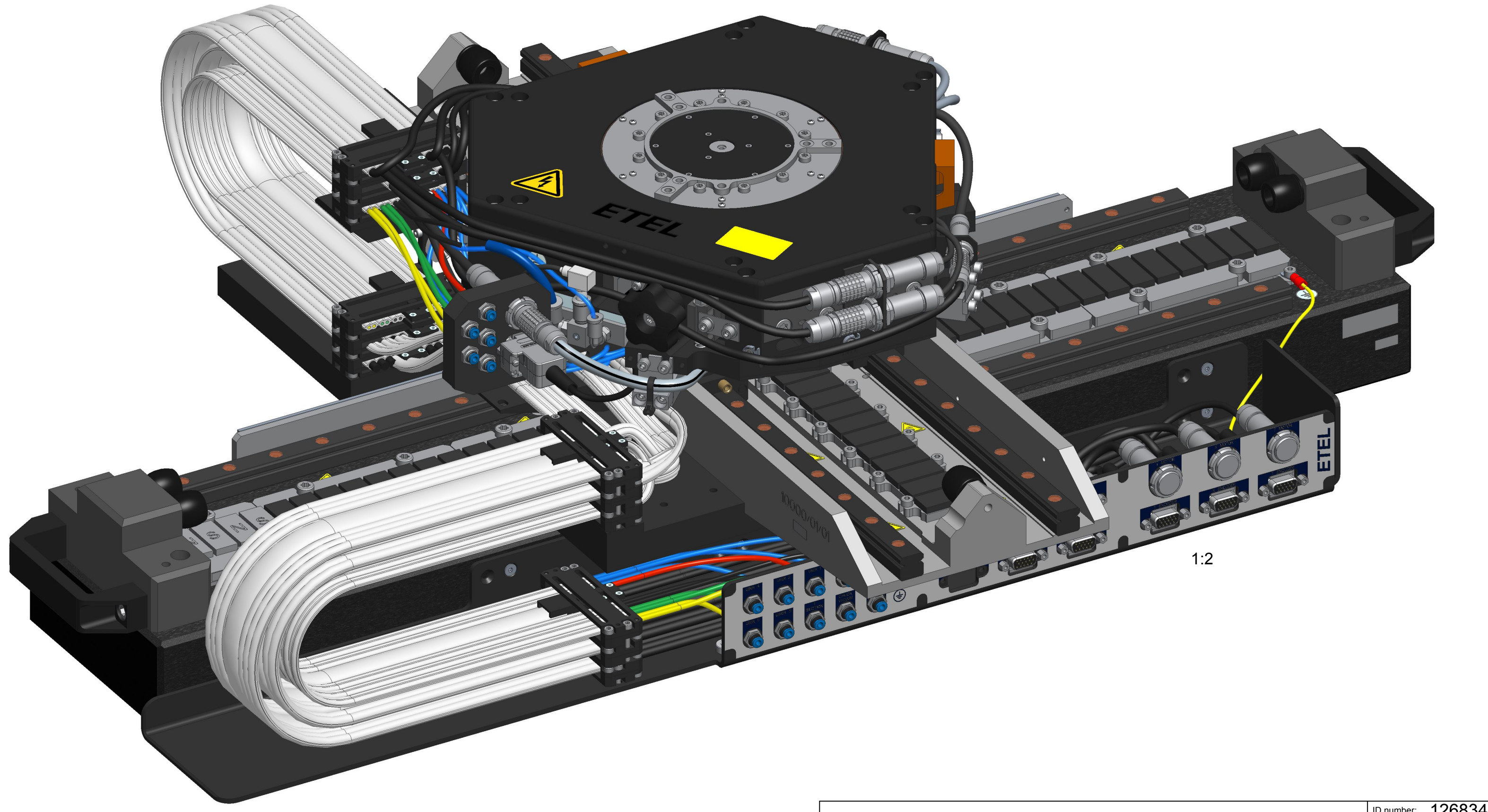
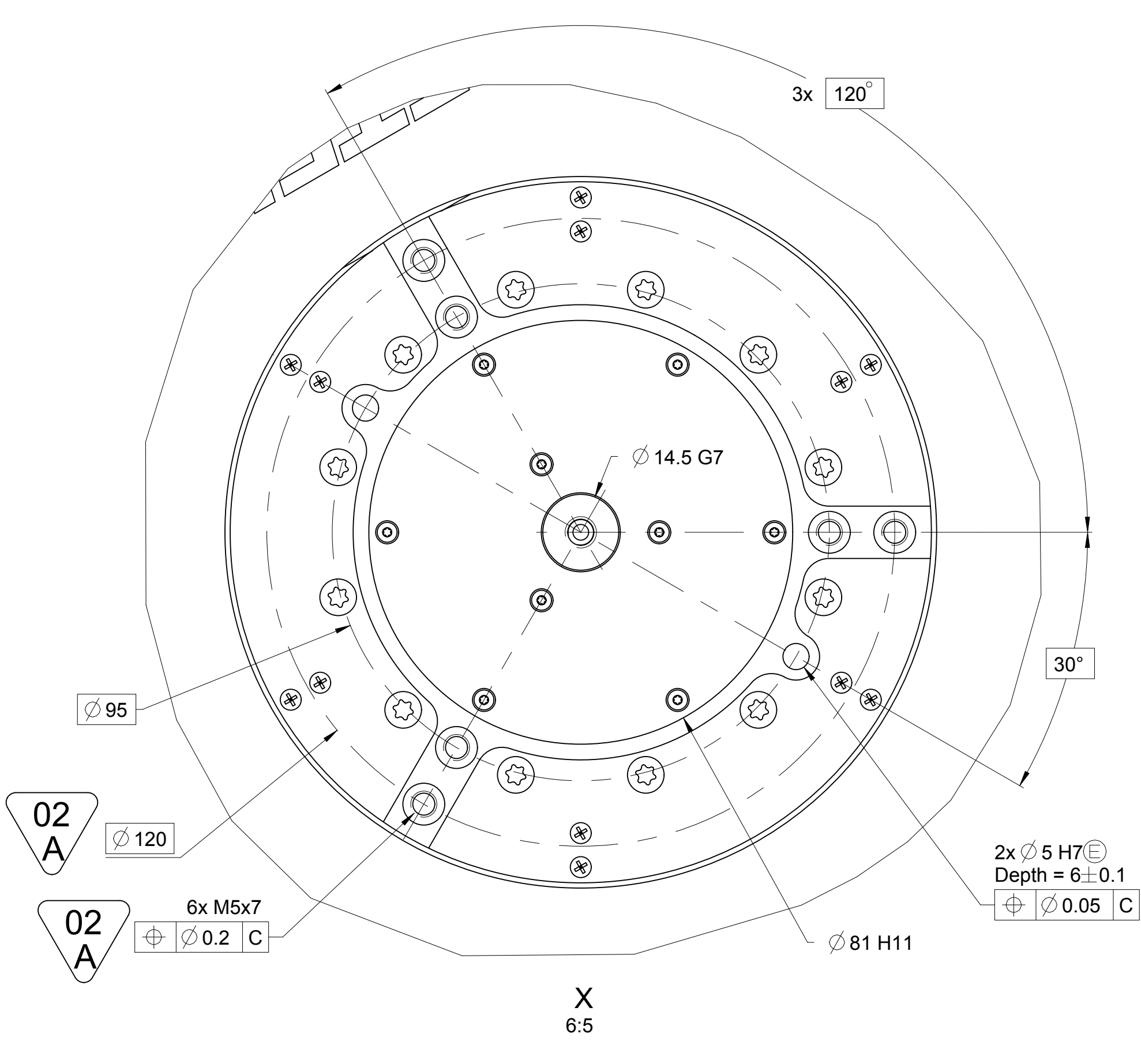
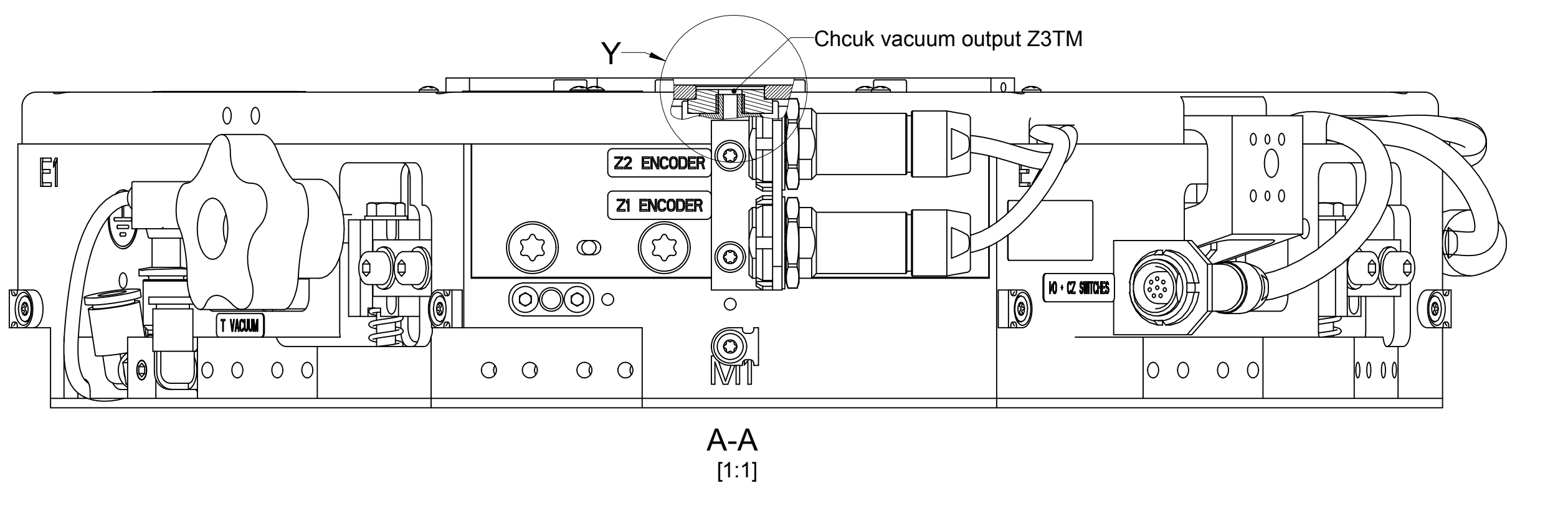
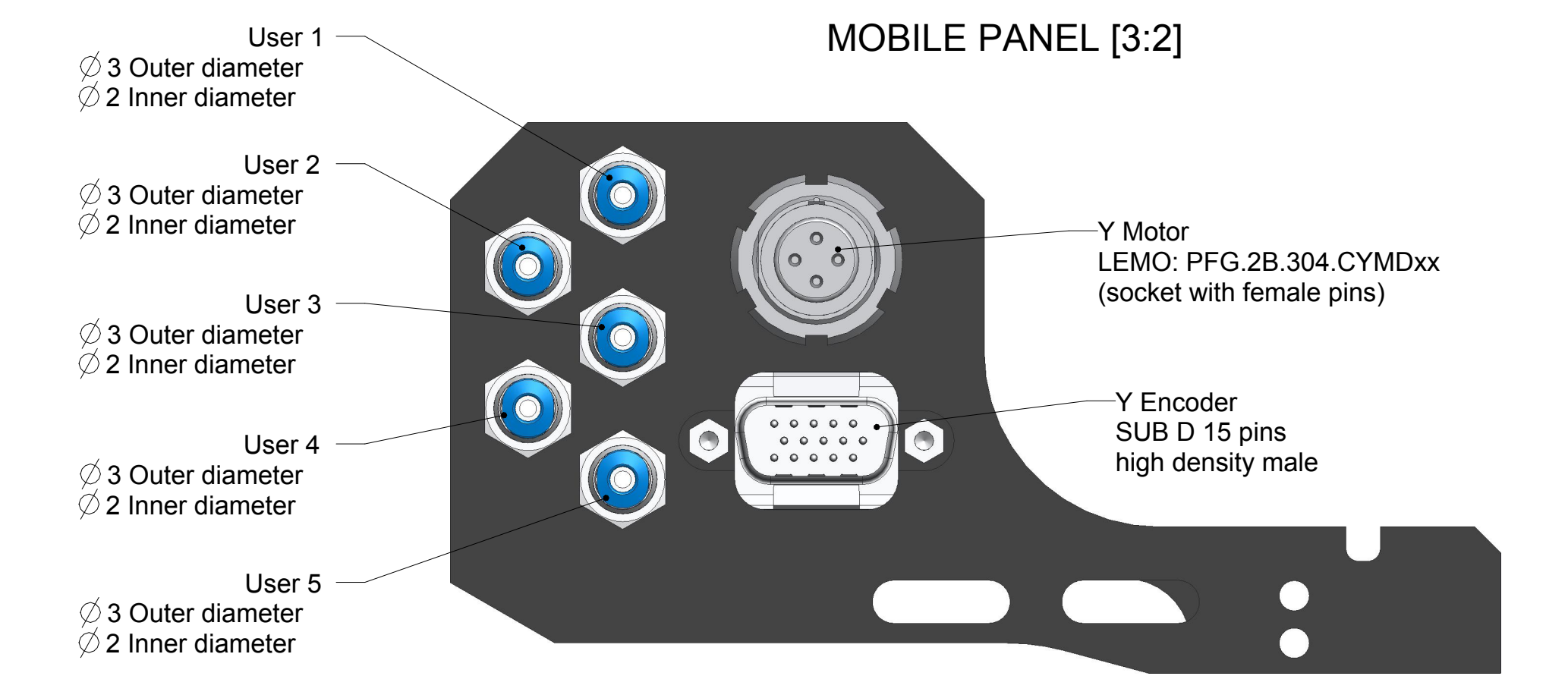
* Dimensions with cables at the end of the strokes



FRONT PANEL [3:2]



MOBILE PANEL [3:2]



It is required to mount Charon 2 Stages on a granite or equivalent flat surface with a flatness inferior or equal to 3 microns

Text: Remove all visible		ID number: 1268342-01
Original drawing	ASME-ANNN-06-0475-0410x-XYZ3TM STACKED SYSTEM	Change No. 0000116
Scale: 1 format	ASME-ANNN-06-0475-0410x-XYZ3TM STACKED SYSTEM	Released: 07-Jun-19
Dimensions in: 3.5 A0	Using Dimensions / Colors: #environment	Tolerances as per ISO 8015: 2011
		Tolerances series: ISO 8015: 2011
		Dimensions without tolerance: 0.2
The reproduction, distribution and utilization of this document as well as the communication of its contents to others without express authorization is prohibited. Offenders will be held liable for the payment of damages. All rights reserved in the event of a patent, utility model or design. (ISO 15071)		
ETEL S.A. 2112 Môtier SWITZERLAND		Version (Revision Sheet) Page 1268777-02-A-01 1 of 1